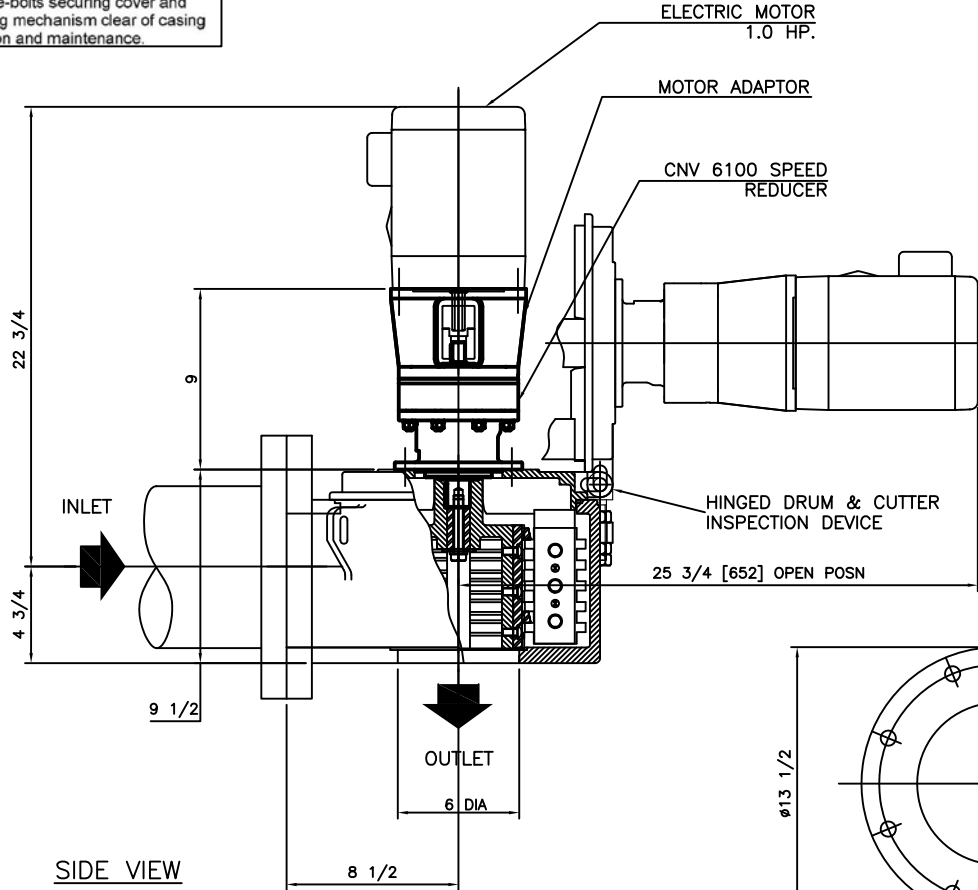


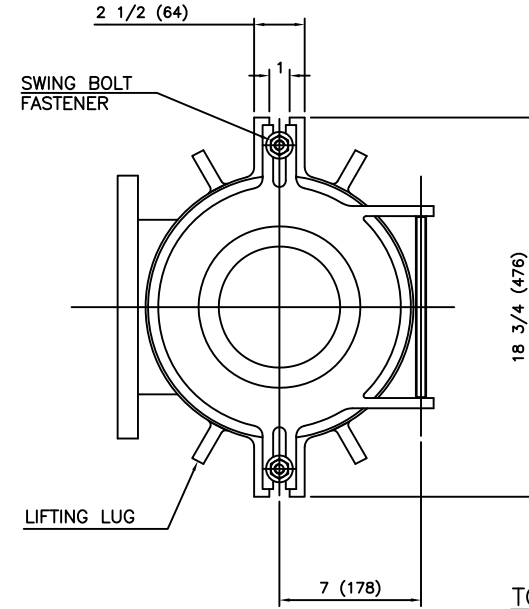
Release eye-bolts securing cover and swing cutting mechanism clear of casing for inspection and maintenance.

# MODEL 7A-8 STANDARD

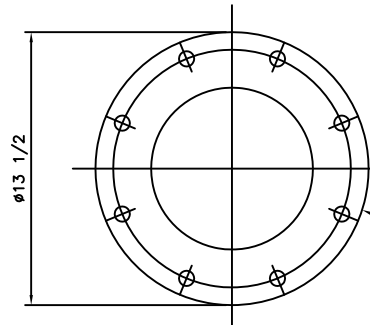
SERIAL No. X



SIDE VIEW  
PART SECTION



TOP VIEW



INLET FLANGE DETAIL

INLET FLANGE  
8" 125 lb, 13 1/2" (343) O.D., DRILLED  
& TAPPED HOLES FOR 3/4"-10 UNC BOLTS,  
8 No EQUI-SPACED ON 11.75" B.C.D.

### MATERIALS OF CONSTRUCTION & GENERAL ENGINEERING DATA

HOUSING:	GREY IRON	CAPACITY	315 GPM (US) / 19.9 L/s	INLET AREA	34 SQ IN	219.4 cm sq							
DRUM (SCREEN):	DUCTILE IRON (ASTM 536 GRADE 60-45-18)	DRUM SPEED	50 RPM	OUTLET AREA	20 SQ IN	129 cm sq							
SHEAR BARS:	AISI-A2 HIGH ALLOY TOOL STEEL	ROTATION	C / CLOCKWISE	DRUM DIAMETER	6.5 IN	16.5 cm							
CUTTING BARS:	AISI-01 TOOL STEEL REVERSIBLE	SLOT WIDTH	.470 IN / 12 mm	WEIGHT	225 LB	102 kg							
HARDWARE & FASTENERS:	304 STAINLESS STEEL	No. OF SLOTS	20										
MOTOR MANUFACTURER:		POWER:	/ 3 / 60	RPM:	1750	REDUCER:	SM - CYCLO	MODEL:	V6100				
STYLE:	TEFC	HP:	1.0	KW:	0.746	FRAME:	56C	FLANGE:	'C'	RATIO:	35:1	RATING:	1.61 HP

## G.E.T. INDUSTRIES INC.



get@grindhog.com  
www.grindhog.com

1 (877) 213-7418

TOLEANCES	INFO.	SCALE	NTS
DECIMAL	INFO.	DRAWN BY	G.P.
FRACTIONAL	INFO.	APPROVED BY	W.D.M.
ANGULAR	INFO.		
DATE	FILE NO.	DWG. No.	REV.
		6 0080	



## RETROFITTING CHICAGO PUMP COMMINUTORS



All models... All installation arrangements





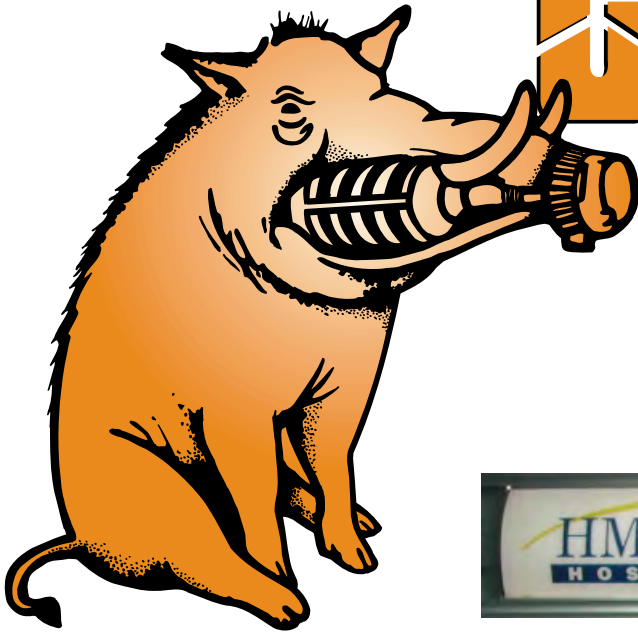


# CHICAGO PUMP COMMINUTOR Retrofit Questionnaire



- Model of existing unit
- Existing characteristics of power supply
- Drive arrangement - close coupled, support column - elevated drive
- Photos of current installation
- Desired capacity (gpm) of replacement unit
- Dimensional detail of structure.... (i.e. free discharge or controlled discharge)
- Details of existing Control Panel (if any)
- Distance of the high water mark above the basin floor





# Grind Hog™

HMS Host Travel Plaza  
Ingersoll, Ontario



Grind Hog™ 7A-8  
2008



Previously Installed  
Chicago Pump 7C



HMS Host Travel Plaza  
Ingersoll, Ontario



G.E.T. INDUSTRIES INC.

Toll Free: (877) 213-7418  
E-mail: [get@grindhog.com](mailto:get@grindhog.com) ♦ Web: [www.grindhog.com](http://www.grindhog.com)